



Miniature Metric Ball Screws

Best-In-Class Load Capacity, Long Life and High Accuracy
For Space-Conscious Applications



Why Choose Thomson Miniature Metric Ball Screws?

Thomson miniature metric ball screw assemblies are precision manufactured to operate efficiently, quietly and smoothly. They deliver best-in-class load capacity while providing ideal solutions for small-footprint applications required in laboratory, robotics and medical markets. Thomson's state-of-the-art production facilities ensure consistent product performance and industry leading delivery.

Better Load Capacity in a Smaller Package

- Design maximizes load capacity by optimizing return system
- Quiet and smooth performance
- Enables flexible ball nut mounting configurations and rapid prototyping

Improved Value

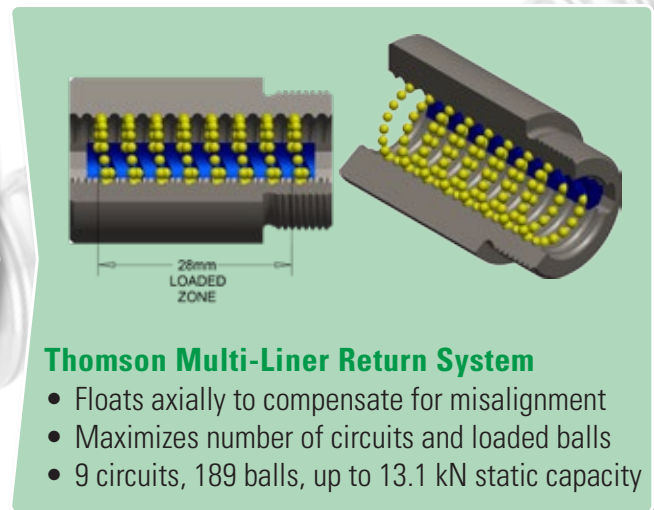
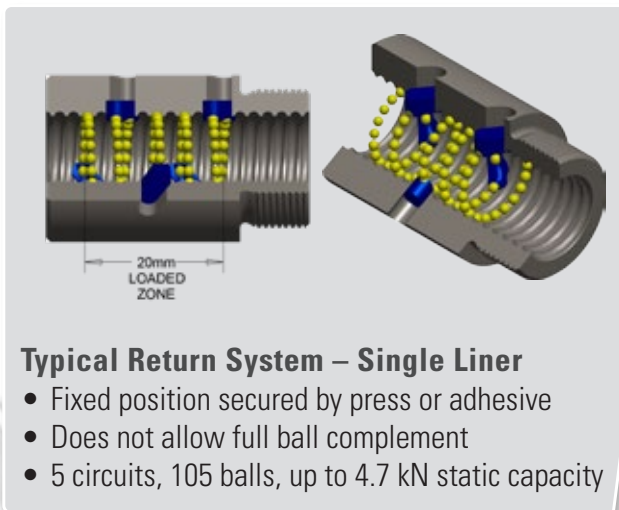
- Precision screws to +/- 52 $\mu\text{m}/300\text{ mm}$ (T7) accuracy class standard
- State-of-the-art manufacturing provides lower cost and improved performance
- Higher load capacity equates to longer life

Genuine Thomson Quality and Innovation

- Proprietary thread form and processing equal superior quality and performance
- Expert technical and application support

Optimized Ball Nut Design

The challenge for Thomson's engineers was to optimize the design of the ball nut. The solution was the unique multi-liner return system that provides smoother operation and, as illustrated in the example below, more load capacity.



MINI. STRONG. PRECISE.

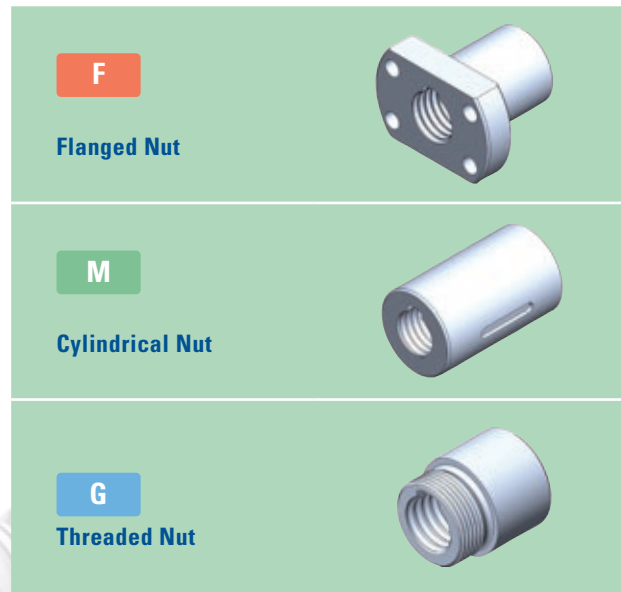
Product Overview

Standard Configuration

- Screw diameters from 8 to 12 mm
- Screw lengths up to 3,000 mm
- Ball nuts with threaded, flanged or cylindrical mounting interface
- Carbon steel construction
- Internal ball return system
- Performance repeatability (0.05 mm backlash)

Optional Configurations

- Thin dense chrome coating
- Black oxide coating
- Ball nut without wipers
- +/- 12 µm/300 mm lead accuracy (P3)
- +/- 23 µm/300 mm lead accuracy (P5)
- Preload options



Ordering Key

Miniature Metric Ball Screw/Nut Assembly																													
1	2	3	4	5	6	7	8	9	10	11	12	13	14	15	16	17													
KGT	-	D	-	10	02	-	T7	-	RH	-	K	18	-	143	-	K	4	-	F	-	M	-	EE	-	R	-	0	-	0
1. Ball Screw Assembly KGT = Metric Ball Screw Assembly				5. Lead Accuracy P3 = 12 µm / 300 mm P5 = 23 µm / 300 mm T7 = 52 µm / 300 mm				10. Screw End 2 X = Cut to length K = Machine to print				15. Manufacturing Process R = Rolled G = Ground																	
2. Nut Version D = According to DIN 69051 G = Cylindrical Threaded				6. Thread Direction RH = Right hand thread				11. Length End 2 [mm] for X/K end 2				16. Special Version or with Accessories 0 = No 1 = Yes (per customer specification)																	
3. Nominal Diameter 08 = 8 mm 10 = 10 mm 12 = 12 mm				7. Screw End 1 X = Cut to length K = Machine to print				12. Nut Style F = Flanged M = Cylindrical G = Threaded				17. Backlash / Preload Options 0 = Normal 1 = Backlash reduced 2 = Light preload (1-3%) 3 = Preload (>4%)																	
4. Threaded Lead 02 = 2 mm 025 = 2.5 mm 03 = 3 mm 05 = 5 mm				8. Length End 1 [mm] for X/K end 1				13. Return System M = Multi Liner K = Channel																					
				9. Overall Screw Length [mm]				14. Wipers EE = Rubber KK = Polymer 00 = No Wiper																					



Miniature Metric Ball Screw Assemblies – General Specifications

Features and Benefits



Product Availability				
Diameter [mm]	Lead [mm]			
	2	2.5	3	5
8		●		●
10	●		●	
12	●			

- Precision screws
- Screw diameters from 8 to 12 mm
- Thomson Return System
- Cost-effective and space-saving solution
- Flexible solution for non-standard mounting
- Integrated wipers and lube port

Performance Specifications									
Nominal Diameter	Lead	Ball Screw P/N	Screw Material	Performance Data					
				Modified Dynamic Load Rating ⁽¹⁾ (C _{dm})		Modified Static Load Rating* (C _{0dm})		Max. Axial Backlash	Standard Lead Accuracy
				[kN]	[lbf]	[kN]	[lbf]		
8	2.5	1905000104	AISI 1566	2.1	472	2.2	494	0.05	± 23
8	5	1905000704	AISI 1566	2.5	562	2.8	629		± 23
10	2	0205000378	CF53	3.7	831	4.6	1034		± 52
10	3	0205000379	CF53	5.2	1169	6.9	1551		± 52
12	2	0205000380	CF53	5.9	1326	8.9	2000		± 52

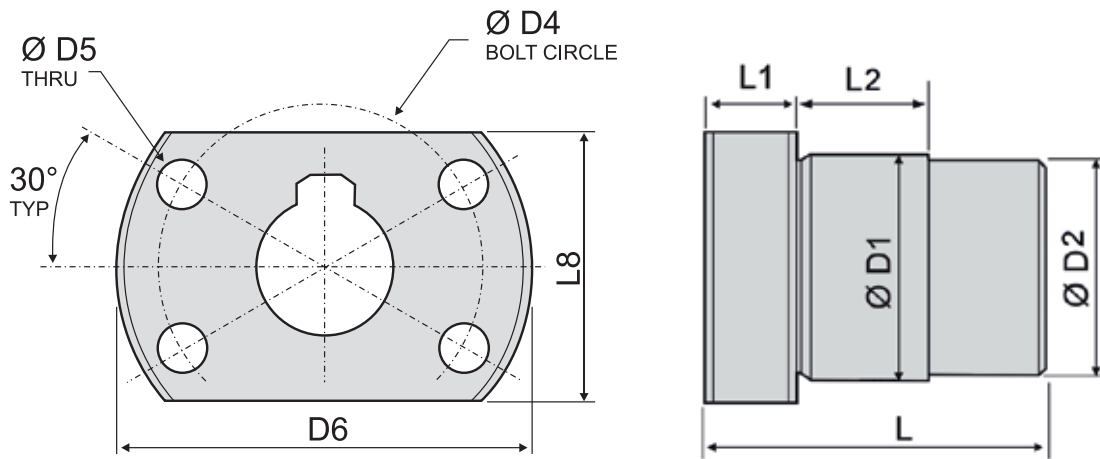
(1) Based on 1 million revolutions.

* Load rating calculations comply with ISO 3408-5.

Dimensional Screw and Nut Specifications									
Nominal Diameter	Lead	Screw Specifications						Nut Specifications	
		Major Diameter		Minor Diameter		Max. Length	Weight	Number of Circuits	Ball Diameter
		[mm]	[in]	[mm]	[in]	[mm]	[kg/m]		[mm]
8	2.5	8.0	0.315	6.83	0.269	280	0.39	3	1.588
8	5	8.0	0.315	6.83	0.269	280	0.39	2.8	1.588
10	2	9.8	0.386	8.3	0.328	3000	0.59	4	1.588
10	3	9.7	0.383	8.0	0.313	3000	0.58	6	1.588
12	2	11.8	0.465	10.3	0.407	3000	0.86	6	1.588

Miniature Metric Ball Nuts – Technical Specifications

F Flanged Nut



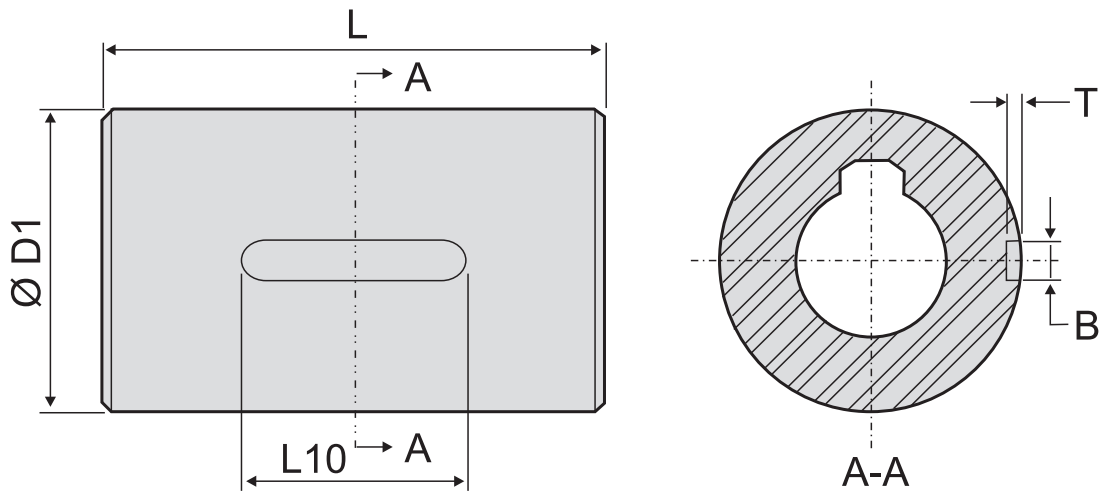
Dimensional Specifications												
Nominal Diameter	Lead	Ball Nut Length (L)	Ball Nut P/N	Nut Material	Dimensions*							
					D1 (g6)	D2	D4	D5	D6	L1	L2	L8
[mm]	[mm]	[mm]			[mm]	[mm]	[mm]	[mm]	[mm]	[mm]	[mm]	[mm]
8	2.5	18	0215200422	ESP 65	16	15.8	22	3.4	28	6	7	19
8	5	23	0215200424	ESP 65	16	15.8	22	3.4	28	6	10	19
10	2	24	0215200427	ESP 65	19	18.8	28	4.5	36	6	10	23
10	3	29	0215200420	ESP 65	19	18.8	28	4.5	36	6	10	23
12	2	34	0215200418	ESP 65	24	23.8	32	4.5	40	8	10	26

* Flange dimensions comply with ISO 3408-2.



Miniature Metric Ball Nuts – Technical Specifications

M Cylindrical Nut

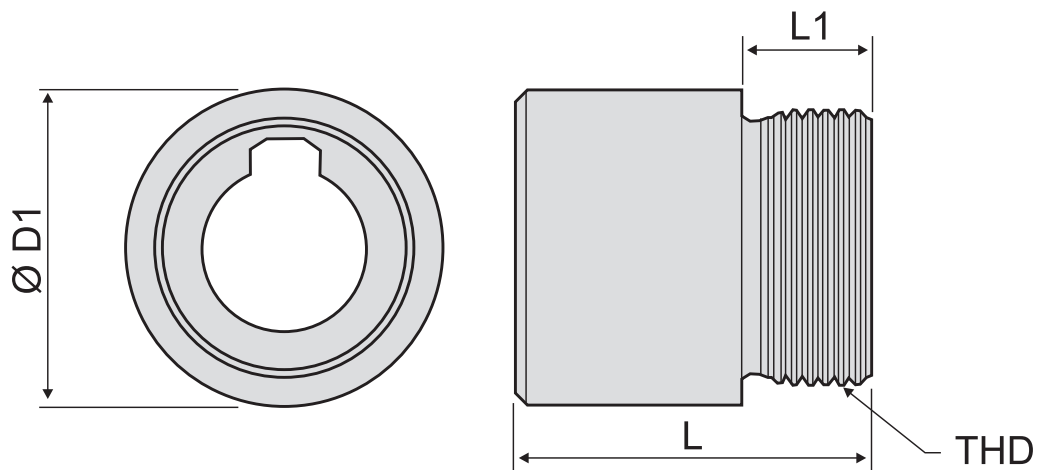


Dimensional Specifications

Nominal Diameter	Lead	Ball Nut Length (L)	Ball Nut P/N	Nut Material	Dimensions		
					D1 (g6)	B × T (P9)	L10
					[mm]	[mm]	[mm]
8	2.5	18	0215050409	ESP 65	16	3 × 2	8
8	5	23	0215050413	ESP 65	16	3 × 2	8
10	2	24	0215050401	ESP 65	19	3 × 2	10
10	3	29	0215050405	ESP 65	19	3 × 2	13
12	2	34	0215050397	ESP 65	24	3 × 2	18

Miniature Metric Ball Nuts – Technical Specifications

G Threaded Nut



Dimensional Specifications							
Nominal Diameter	Lead	Ball Nut Length (L)	Ball Nut P/N	Nut Material	Dimensions		
					D1 (h12)	THD	L1
[mm]	[mm]	[mm]					[mm]
8	2.5	18	0215050411 ⁽¹⁾	ESP 65	16	M15 x 1	8
10	2	24	0215050403	ESP 65	19	M17 x 1	8
10	3	29	0215050407	ESP 65	19	M18 x 1	9
12	2	34	0215050399	ESP 65	24	M20 x 1	10

(1) No wiper option available.

USA, CANADA and MEXICO

Thomson
203A West Rock Road
Radford, VA 24141, USA
Phone: 1-540-633-3549
Fax: 1-540-633-0294
E-mail: thomson@regalrexnord.com
Literature: literature.thomsonlinear.com

EUROPE

United Kingdom

Thomson
Office 9, The Barns
Caddsdow Business Park
Bideford, Devon, EX39 3BT
Phone: +44 1271 334 500
E-mail: thomson.europe@regalrexnord.com

Germany

Thomson
Nürtinger Straße 70
72649 Wolfschlügen
Phone: +49 7022 504 403
Fax: +49 7022 504 405
E-mail: thomson.europe@regalrexnord.com

France

Thomson
Phone: +33 243 50 03 30
E-mail: thomson.europe@regalrexnord.com

Italy

Thomson
Via per Cinisello 95/97
20834 Nova Milanese (MB)
Phone: +39 0362 366406
Fax: +39 0362 276790
E-mail: thomson.italy@regalrexnord.com

Sweden

Thomson
Bredbandsvägen 12
29162 Kristianstad
Phone: +46 44 590 2400
Fax: +46 44 590 2585
E-mail: thomson.europe@regalrexnord.com

ASIA

Asia Pacific

Thomson
E-mail: thomson.apac@regalrexnord.com

China

Thomson
Rm 805, Scitech Tower
22 Jianguomen Wai Street
Beijing 100004
Phone: +86 400 606 1805
Fax: +86 10 6515 0263
E-mail: thomson.china@regalrexnord.com

India

Kollmorgen – Div. of Altra Industrial Motion
India Private Limited
Unit no. 304, Pride Gateway, Opp. D-Mart,
Baner Road, Pune, 411045
Maharashtra
Phone: +91 20 67349500
E-mail: thomson.india@regalrexnord.com

South Korea

Thomson
3033 ASEM Tower (Samsung-dong)
517 Yeongdong-daero
Gangnam-gu, Seoul, South Korea (06164)
Phone: + 82 2 6001 3223 & 3244
E-mail: thomson.korea@regalrexnord.com

SOUTH AMERICA

Brazil

Thomson
Av. João Paulo Ablas, 2970
Jardim da Glória - Cotia SP - CEP: 06711-250
Phone: +55 11 4615 6300
E-mail: thomson.brasil@regalrexnord.com

www.thomsonlinear.com

Miniature_Metric_Ball_Screws_BRUK-0009-07 | 20240408SK
Errors and technical alterations reserved. It is the responsibility of the product user to determine the suitability of this product for a specific application. All trademarks property of their respective owners.
©2024 Thomson Industries, Inc.

 **THOMSON**[®]

Linear Motion. Optimized.[™]

A REGAL REYNORD BRAND