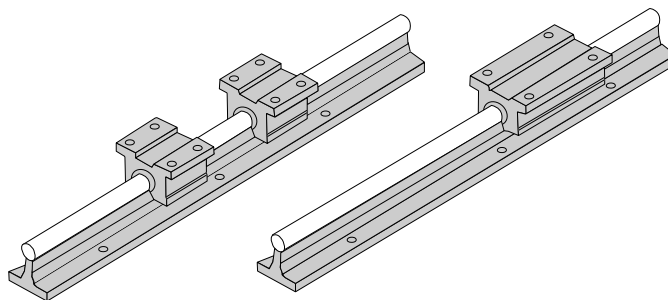


FluoroNyliner 1VA

Linear Guide #5

Corrosive/Contaminated Environments



INCH

Single Continuously Supported Linear Guide with 2 Pillow Blocks

Single Continuously Supported System with 1 Twin Pillow Block

Load Rating and Limit by Direction

	Dynamic Load Rating	Load Limit
F_c	PV	PV
F_t	0.3PV	0.3PV
F_s	0.6PV	0.6PV

Dynamic Load Rating
PV value used in life calculation.
Load Limit
Maximum allowable PV applied to bearing.

FluoroNyliner* Linear Guide 1VA Single Continuously Supported with 2 Pillow Blocks (Dimensions in inches)

Part Number	Nominal Diameter	L1	H	Br	B9	Pillow Block	Shaft Support Rail Assembly
1VA-08-FAO	.50	1.50	1.812	1.50	2.00	FNYBUPBO08A-XS	SRA-8-XS-SS
1VA-12-FAO	.75	1.88	2.437	1.75	2.75	FNYBUPBO12A-XS	SRA-12-XS-SS
1VA-16-FAO	1.00	2.63	2.937	2.13	3.25	FNYBUPBO16A-XS	SRA-16-XS-SS
1VA-20-FAO	1.25	3.38	3.625	2.50	4.00	FNYBUPBO20A-XS	SRA-20-XS-SS
1VA-24-FAO	1.50	3.75	4.250	3.00	4.75	FNYBUPBO24A-XS	SRA-24-XS-SS

FluoroNyliner Linear Guide 1VA Single Continuously Supported with 1 Twin Pillow Block (Dimensions in inches)

Part Number	Nominal Diameter	L2	H	Br	B9	Maximum Stroke Length	Pillow Block	Shaft Support Rail Assembly
1VA-08-HAO	.50	3.5	1.812	1.50	2.00	L-(3.5)	FNYBUTWNO08A-XS	SRA-8-XS-SS
1VA-12-HAO	.75	4.5	2.437	1.75	2.75	L-(4.5)	FNYBUTWNO10A-XS	SRA-12-XS-SS
1VA-16-HAO	1.00	6.0	2.937	2.13	3.25	L-(6.0)	FNYBUTWNO16A-XS	SRA-16-XS-SS
1VA-20-HAO	1.25	7.5	3.625	2.50	4.00	L-(7.5)	FNYBUTWNO20A-XS	SRA-20-XS-SS
1VA-24-HAO	1.50	9.0	4.250	3.00	4.75	L-(9.0)	FNYBUTWNO24A-XS	SRA-24-XS-SS

Maximum Operating Parameters per Bearing

Characteristic	Limit
Liner Temperature Range	-240° C to 288° C (-400° F to 550° F)
Velocity, dry	42.7 m/min. Continuous
Velocity, dry	122 m/min. Intermittent
Velocity, lubricated	122 m/min. Continuous
Pressure	10.35 MPa
PV	21 MPa/m/min

FluoroNyliner* Linear Guide 1VA Benefits:

- Requires only one part number to specify the entire linear guide.
- Used as a load support, transport, and guidance solution.
- Used in continuously supported applications when rigidity is required.

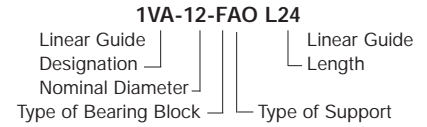
FluoroNyliner Linear Guide 1VA Components:

- 2 self-aligning FluoroNyliner* Bushing bearing open pillow blocks or 1 self-aligning FluoroNyliner Bushing bearing open twin pillow block.
- 1 stainless steel 60 Case* linearRace* shaft support rail assembly.

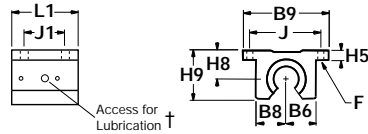
Specifying this Thomson Linear Guide:

1. Determine the proper Linear Guide for your load and life requirements.
2. Select the part number.
3. Add the letter "L" followed by the overall length in inches, as a suffix to the part number.

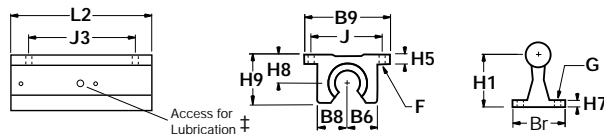
Part Numbering System



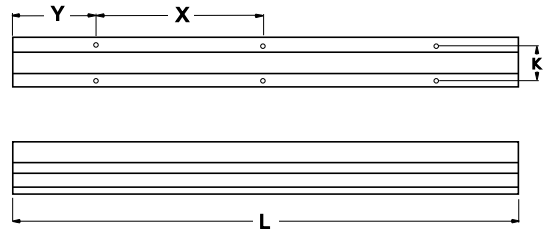
FluoroNyliner Linear Guide Pillow Block Dimensions



FluoroNyliner Linear Guide Twin Pillow Block Dimensions



Type SRA LinearRace Shaft Support Rail Assembly



Self-Aligning Pillow Blocks (Dimensions in inches)

Part Number	Nom. Dia.	L1	H9	H8	H5	B9	B8	B7	J	J1	F		Wt. lb
											Bolt	Hole	
FNYBUPBO08A-XS	.50	1.50	1.12	.687	.25	2.00	.75	.69	1.69	1.00	#6	.16	.20
FNYBUPBO12A-XS	.75	1.88	1.56	.937	.31	2.75	1.00	.94	2.38	1.25	#8	.19	.51
FNYBUPBO16A-XS	1.00	2.63	2.00	1.187	.38	3.25	1.25	1.19	2.88	1.75	#10	.22	1.03
FNYBUPBO20A-XS	1.25	3.38	2.56	1.500	.43	4.00	1.63	1.50	3.50	2.00	#10	.22	2.15
FNYBUPBO24A-XS	1.50	3.75	2.94	1.750	.50	4.75	1.88	1.75	4.12	2.50	1/4	.28	3.29

Housing Material: Aluminum Alloy Black Anodized

Self-Aligning Twin Pillow Blocks

Part Number	Nom. Dia.	L2	J3	Wt. lb.
FNYBUTWNO08A-XS	.500	3.50	2.50	.40
FNYBUTWNO12A-XS	.750	4.50	3.50	1.02
FNYBUTWNO16A-XS	1.00	6.00	4.50	2.06
FNYBUTWNO20A-XS	1.25	7.50	5.50	4.30
FNYBUTWNO24A-XS	1.50	9.00	6.50	6.88

Housing Material: Aluminum Alloy Black Anodized

Performance Note: For detailed explanations of FluoroNyliner Linear Guide Dynamic and Static Load Capacities, Frictional Characteristics, Wear Rates, Speeds, and Life Expectancy please contact Thomson Linear Guides Applications Engineering department.

Product Note: FluoroNyliner linear guides are shipped free of all lubricants. It is the responsibility of the product user to determine lubricant compatibility with the FluoroNyliner bearing material.

Product Options: FluoroNyliner linear guides are available with various inner race materials and platings to accommodate different environments.

Type SRA LinearRace Shaft Support Rail Assembly (Dimensions in Inches)

Part Number	Nom. Dia.	H1	H7	Br	K	X	Y	G		Wt. lb/ft
								Bolt	Hole	
SRA-8-XS-SS	.50	1.125	.19	1.50	1.00	4	2	#6	.17	1.26
SRA-12-XS-SS	.75	1.500	.25	1.75	1.25	6	3	#10	.22	2.50
SRA-16-XS-SS	1.00	1.750	.25	2.13	1.50	6	3	1/4	.28	4.06
SRA-20-XS-SS	1.25	2.125	.31	2.50	1.88	6	3	5/16	.34	6.30
SRA-24-XS-SS	1.50	2.500	.38	3.00	2.25	8	4	5/16	.34	8.60

LinearRace Support Rail Material: Aluminum Alloy Black Anodized

Maximum length of LinearRace Shaft Support Rail is 72 inches. If longer continuous one-piece LinearRace Shaft Support Rails are required, contact the Thomson **Linear Guide** Application Engineering department.